

Relay module for
dual smoke alarm
device/VdS
Relais-Modul für
Rauchwammelder
Dual/VdS
2340 00

GIRA

282341001 - 09/09

Gira
Giersiepen GmbH & Co. KG
Elektro-Installations-Systeme
Postfach 1220
42461 Radevormwald, Germany
Tel.: +49 (0) 21 95 - 602 - 0
Fax.: +49 (0) 21 95 - 602 - 339
www.gira.de
info@gira.de

GIRA

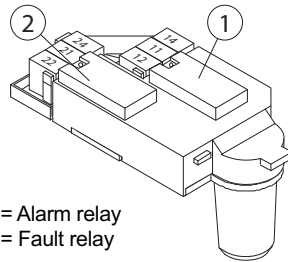
Functional description

The relay module extends the range of functionality offered by the Gira Smoke alarm device Dual/VdS. It allows an external alarm device to be connected, e.g. horn or warning light.

In addition, it is possible for alarm and fault messages to be routed through, for example, a TeleCoppler or central alarm system, or transmitted via a push-button interface to the EIB. The relay module contains two relays, which are energised under the following conditions:

- the fault relay is energised if there is a problem with the smoke detector, e.g. "Battery change due",
- the alarm relay is energised if there is a local or networked smoke/temperature alarm.

Device description



The relay module can be fitted into the module interface on the Gira smoke alarm device Dual detector and is powered via the connecting wires provided in the smoke detector. Each module interface can accommodate exactly one module, meaning that radio modules cannot be operated in smoke detectors at the same time as relay modules.

Alarm relay functional test

The alarm relay is used to transmit smoke/temperature alarms to the connected device. The alarm relay will trip as soon as an alarm signal is generated by the smoke detector.

Operation with a wired network of smoke detectors

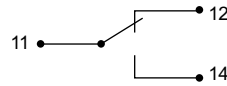
When a wired network is used, the alarm signal will be transmitted to all connected smoke detectors via the alarm relay.

Terminal designations

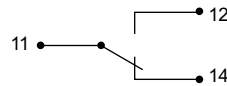
The potential-free terminals of the alarm relay are referred to as follows:

- 12: Normally closed contact for alarm relay
- 11: Central contact for alarm relay
- 14: Normally open contact for alarm relay

Standard mode switch position



Smoke/temperature alarm switch position



Fault relay functionality

The fault relay is used to transmit the "Fault/detection head clogging" and "Battery change due" warnings to the connected device. The fault relay will trip as soon as one of these warnings is identified by the smoke detector.

Operation with a wired network of smoke detectors

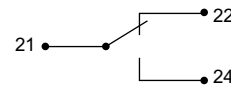
When a wired network is used, only faults with the smoke detector to which relay is fitted will be transmitted via the fault relay. In the case that all smoke detectors need to be monitored for faults, then each one must be fitted with a relay module.

Terminal designations

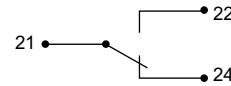
The potential-free terminals of the fault relay are referred to as follows:

- 22: Normally closed contact for fault relay
- 21: Central contact for fault relay
- 24: Normally open contact for fault relay

Standard mode switch position



Battery/fault mode switch position



Fitting the relay module

If the smoke detector is already installed:

- 1) Remove the smoke detector from the mounting plate or 230 V base. Release the locking mechanism (see "Installation and User Manual - Smoke alarm Dual/VdS") and turn the smoke detector anticlockwise. Remove the 9 V block battery.



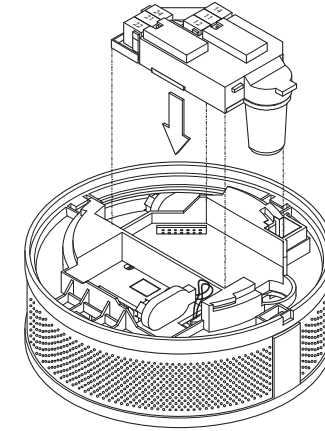
Caution

The relay module must not be fitted to the smoke detector with the battery connected.

In every case:

- 3) Strip the ends of the connecting wires for the relay module. Ensure that the connecting wires are long enough (approx. 10 cm) to allow the relay module to be inserted and removed easily. When using a relay module with a 230 V base for dual smoke alarm device/VdS, for safety reasons it is important to ensure that the insulation on the connecting wires extends right up to the terminals of the relay module.
- 4) Connect the connecting wires to the relay module terminals (J-Y(ST)Y 2x2x0.6 or YR 4x0.8).

- 5) Insert the connector pins on the relay module fully into the guide holes on the module interface provided for this purpose.



- 6) Connect the battery, position the smoke detector in the mounting plate or 230 V base and lock in place by turning clockwise.



Fitting the battery

If the battery is not in place then it will not be possible to lock the detector into the mounting plate or 230 V base.

- 7) Carry out a functional test on the smoke detector.



Connecting an inductive signalling device

If an inductive signalling device is connected, then a suppressor diode must be included in the circuit.

Functional test

Always check that the smoke detector to which the relay module is connected is functioning correctly when first installed and after every battery change.

Alarm relay test

Trigger an alarm from the smoke detector by pressing the button on the smoke detector for at least 4 seconds. If the alarm relay is functioning correctly it will switch to the 12 contact.

Technical data

Alarm relay contact: potential-free
changeover
contact

Switching voltage: max. 30 V AC/DC
Switching current: max. 1 A AC/DC

Fault relay contact: potential-free
changeover
contact

Switching voltage: max. 30 V AC/DC
Switching current: max. 1 A AC/DC

Connection diameter:
0.6 to 0.8 mm

No additional current demand in
energised state.

Warranty

We provide a warranty as provided
for by law.

Please send the unit postage free
with a description of the defect to
our central customer service via
your specialised dealer:

Gira
Giersiepen GmbH & Co. KG
Service Center
Dahlienstraße 12
42477 Radevormwald
Deutschland